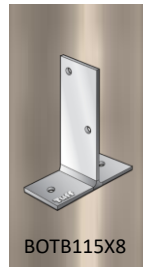
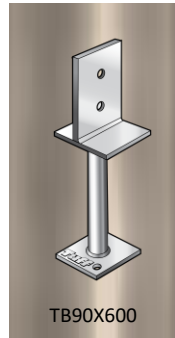
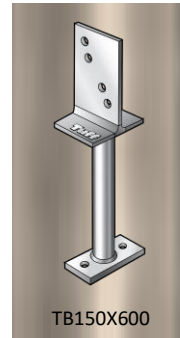
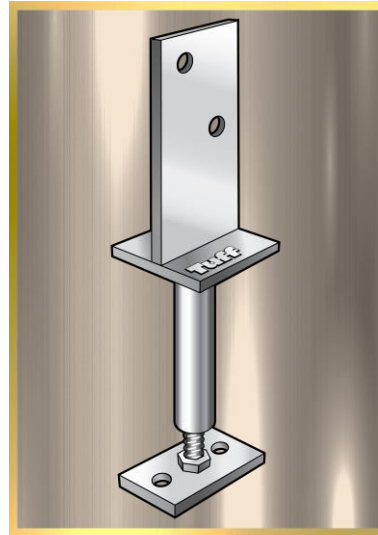


**TB115ADJ****T BLADE STIRRUP, HEAVY DUTY, ADJUSTABLE**

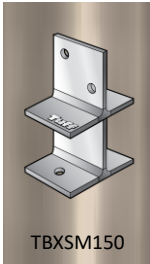
BOTB115X8



TB90X600



TB150X600



TBXSM150

PRODUCT CODE	: TB115ADJ
BARCODE	: 9314691808540
BLADE SIZE	: 110MM X 250MM
SHAFT HEIGHT	: 220MM-360MM
SHAFT Ø	: 48MM
POST BOLT HOLE	: M24
MADE FROM	: 10MM
FINISHING	: HOT DIP GALVANISED

**NOTES:**

- IDEAL FOR PERGOLA, CARPORT AND VERANDA POSTS
- PRIMARILY USED FOR BOLTING TO EXISTING TIMBER DECKING OR CONCRETE BASE
- SUITS 115MM TIMBER POST
- USED TO ADJUST HEIGHT OF T-BLADE TO SUIT VARIATION IN FLOORING LEVEL